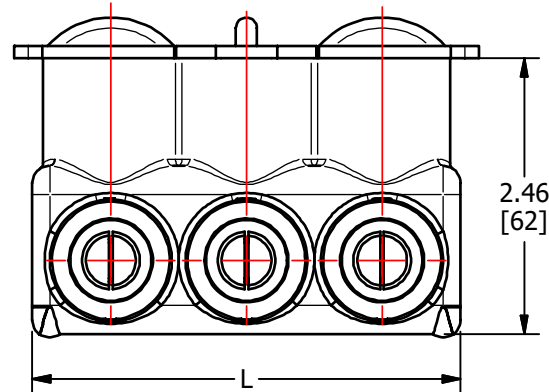
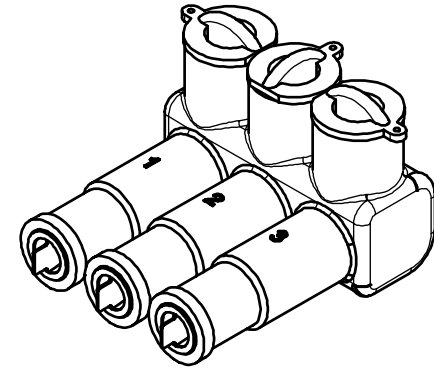
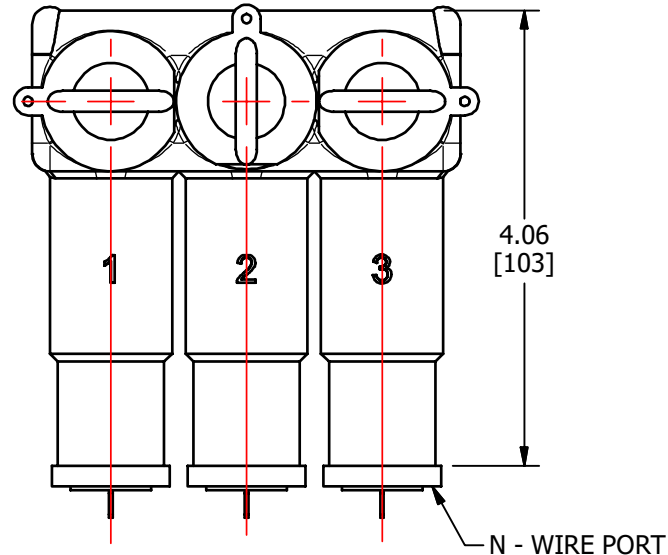


S.NO	CATALOG NUMBER	L	N
1	SSBC350-2S	2.61 [66]	2
2	SSBC350-2SI	2.61 [66]	2
3	SSBC350-3S	3.82 [97]	3
4	SSBC350-3SI	3.82 [97]	3
5	SSBC350-4S	5.03 [128]	4
6	SSBC350-4SI	5.03 [128]	4
7	SSBC350-5S	6.24 [159]	5
8	SSBC350-5SI	6.24 [159]	5
9	SSBC350-6S	7.45 [189]	6
10	SSBC350-6SI	7.45 [189]	6



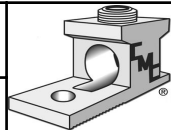
INSULATION MATERIAL: EPDM RUBBER
CONNECTOR MATERIAL: ALUMINUM
CONDUCTOR RANGE: 350 KCMIL-12

					TO ORDER CMC PRODUCTS	DRAWN BY: TS	NAME OF PART:	CAT. NO.:
					UNITED STATES 1-513-860-4455	01-22-20	SUBMERSIBLE PEDESTAL ASSEMBLY	SEE TABLE
					CANADA 1-800-361-6975	CHECKED BY:	DWG NO:	
					MEXICO 011-52-722-265-4400		U22700073-S (CHARTED)	A
A	NEW DRAWING CREATED		01-22-20	TS	FOR PRODUCT INFO www.cmlugs.com	DRAWING NOT TO SCALE		SHEET NO: 1 OF 1
REV.	DESCRIPTION	ECN	DATE	INIT.				

THIS INFORMATION IS PROPRIETARY TO CONNECTOR MFG. CO. AND IS NOT TO BE DISCLOSED OUTSIDE OF CONNECTOR MFG. CO. WITHOUT A CONFIDENTIALITY AGREEMENT



CONNECTOR MANUFACTURING CO.



HAMILTON, OHIO